

INDUSTRIAL BAYMASTER™ LED LUMINAIRE

- Three lumen outputs provide up to 19,500 lumens.
- Choice of optics for optimal light distribution in a variety of applications.
- Unique quick mount pendant system allows for easy prewiring without supporting the High Bay in place. Quick mount adapter hood includes one 3/4" NPT entry.
- Alternate mounting system allows for "Y" cable mount and easy wiring via a separate field wiring compartment with a screw terminal block (can accept UL/CSA 26-10AWG).
- Two 3/4" NPT entries provided. (Two close up plugs provided when quick mount pendant system is ordered).
- One 1/2" NPT close up plug provided on quickmount model for use with accessory drain assembly.
- Choice of color temperature (CCT); 5000K cool white or 3000K warm white.
- Rugged and compact housing with superior thermal design translates to long luminaire life.
- Ambient Temperature: -40 °C to +65 °C (-40 °F to +149 °F)
- Heavy duty, high temperature silicone rubber gaskets.
- Thermal shock and impact resistant clear or frosted glass lens.
- Choice of Input Voltages:
 - 120-277 Vac 50/60 Hz, 170-300 Vdc
 - 347-480 Vac 50/60 Hz
- Standard 6kV surge protection.
- Captive fasteners secure one piece lens.
- Field replaceable LED driver and lens cover.

OPTIONS

- Improved safety cable design with multiple retention points, purchase separately
- Guard available, purchase separately
- 10kV Surge Protection
- Y mount cable assembly, purchase separately
- Drain assembly, purchase separately

SUITABLE LOCATIONS

- Powerful, efficient weatherproof lighting for applications such as:
 - Warehouses
 - Waste water treatment facilities
 - Production facilities
 - Processing plants
 - Storage areas
- Locations requiring IP66/67, Type 4X, marine and wet location.
- Locations requiring dependable, consistent lighting in extreme hot/cold temperature environments.

STANDARD MATERIALS

- Housing and lens door: copperfree (4/10 of 1% max.) aluminum
- Gaskets: silicone rubber
- Quick mount hood and body: copperfree (4/10 of 1% max.) aluminum
- Exterior hardware: stainless steel
- Close up plugs: (two 3/4", one 1/2") aluminum provided for quick mount, (one 3/4") aluminum provided otherwise
- Guard and safety cable: stainless steel

STANDARD FINISHES

- Housing, lens cover, quick mount body and hood; baked gray epoxy powder coat finish, electrostatically applied for complete uniform protection

NEC/CEC RATINGS

- UL Standards:
 - UL1598, Luminaires
 - UL1598A, Luminaires for Installation on Marine Vessels
 - UL 8750, LED Equipment for Use in Lighting Products
- CSA Standards:
 - CSA C22.2 No. 250.0, Luminaires
- cCSAus: 164460, Certificate Number: 70073607

DESIGNLIGHTS™ CONSORTIUM

- All models pending.

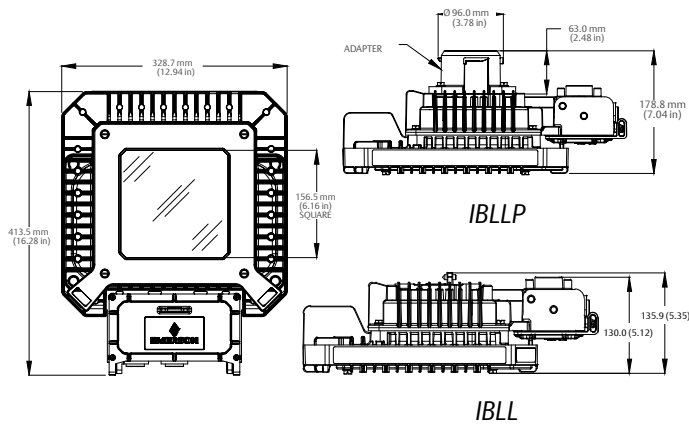
APPLETON™


EMERSON™

EMERSON. CONSIDER IT SOLVED.™

		IBLL6/IBLLP6	IBLL7/IBLLP7	IBLL8/IBLLP8
Equivalent to HPS/PSMH		175-250 Watt	250-400 Watt	400-750 Watt
Input Power		70 Watt	110 Watt	150 Watt
Voltage Range	BU	120-277 Vac, 50/60 Hz, 170-300 Vdc	120-277 Vac, 50/60 Hz, 170-300 Vdc	120-277 Vac, 50/60 Hz, 170-300 Vdc
	BH	347-480 Vac, 50/60 Hz	347-480 Vac, 50/60 Hz	347-480 Vac, 50/60 Hz
Luminous Flux (Efficacy) ① for 5000K Clear	Type I (Aisle)	9700 (139)	15200 (138)	19800 (132)
	Type V Medium (120° beam angle)	9800 (140)	15400 (140)	20100 (134)
	Type V Wide (140° beam angle)	8700 (124)	13600 (124)	17700 (118)
Correlated Color Temperature (CCT)		3000K/5000K	3000K/5000K	3000K/5000K
Color Rendering Index (CRI)		80/70	80/70	80/70
Ambient Temperature (NEC/CEC)		-40 °C (-40 °F) to +65 °C (+149 °F)	-40 °C (-40 °F) to +65 °C (+149 °F)	-40 °C (-40 °F) to +65 °C (+149 °F)
Luminaire Weight		9.8 kg (22 lb)	9.8 kg (22 lb)	9.8 kg (22 lb)
Standard Materials		Housing: copperfree aluminum		
		Finish: baked grey epoxy clad finish		
		Lens: thermal shock- and impact-resistant glass or optional frosted glass		
Lifetime		>100,000 hours @ +40 °C (+104 °F) ambient temperature		
		>60,000 hours @ +65 °C (+149 °F) ambient temperature		
Warranty		5 years standard; 10 years for models with secondary optic and extra surge protection		

① All values typical +/-10%



Product Ordering Guide

IBLL	P	L7	C	G	M	N	BU	S
Series:	Mounting:	Lumen Level:	Color Temp CCT:	Diffusion:	Light Pattern:	Dimming:	Voltage:	
IBLL - Industrial Baymaster LED Series	P - Quick Mount Pendant	L6 - 9K	C - 5000K	G - Clear Glass	M - Medium	N - None	BU = 120V-277Vac 50/60 Hz, 170-300 Vdc	F - Fusing ④
	Blank - No Quick Mount	L7 - 15K L8 - 19K	W - 3000K ②	F - Frosted Glass ③	W - Wide A - Aisle		BH = 347-480Vac 50/60 Hz	S - 10kV Surge Protection

Example: IBLLP7CGMNBUS

② 3000K CCT (Warm) is only available with Type V Wide or Aisle light patterns

③ Frosted Glass is only available with Type V Medium light pattern

④ Use of fuse voids Marine rating.